

DRAGGING FERTILIZER PLANTER

PANTHER PNEUMATIC

SM 6000 - 7000 - 8000 - 9000 - 10000

11000 - 12000 - 13000 - 14000 - 15000 - 16000

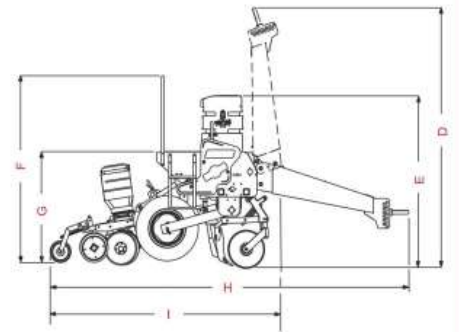
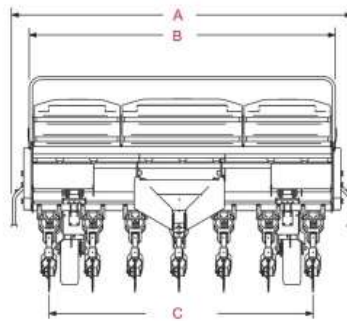


DIMENSIONS (mm)

Panther SM

MODEL	A	B	C	D	E	F	G	H	I
6000	3365	2615	2400 1400	2910	SELF-CLEANING 180° / FERTISYSTEM 320	2180	1322	4300	2550
7000	3655	2910	2750 2100	2910		2180	1322	4300	2550
8000	4110	3360	3200 2550	2910		2180	1322	4300	2550
9000-D	4505	3810	3600 2600	2910		2180	1322	4300	2550
10000-D	4985	4235	4050 3600	2910		2180	1322	4300	2550

NOTE: Minimum distance between lines on wheels is 45cm.



Technical Specifications

Characteristics	6.000			7.000				8.000				9.000 (double wheels)				10.000 (double wheels)								
Number of Lines	6	5	4	3	7	6	5	4	8	7	6	5	4	9	8	7	6	5	10	9	8	7	6	5
Spacing (cm)	45			70*	45				70*	45				70*	45				70*	45				
		45	65*	75		45	60	75		45	50*	55	65		45	50*	55*	65*		45	45	60*	70*	85
		50*	70*	80		50	65	80		50*	60	70	85		50*	60	70*	80		45	50*	55*	65*	75
		55*	75	85		55	65	85		55	65	75*	90		55*	60	70*	85		55*	60*	65	75	85
		60	80	90				90			65	80						90					80	90
Fertilizer Capacity, screw worm gears and Fertisystem	750 Kg / 670 L				880 Kg / 785 L					1010 Kg / 900 L					1130 Kg / 1005 L					1585 Kg / 1415 L				
Fertilizer Capacity, screw worm gears and Fertisystem (row)	125 Kg / 111 L				126 Kg / 112 L					126 Kg / 112 L					126 Kg / 112 L					158Kg / 141L				
(Pipoqueira Version) Seed Capacity	370 Kg / 470 L				420 Kg / 525 L					495 Kg / 620 L					520 Kg / 645 L					620 Kg / 775 L				
(Pipoqueira Version) Seed Capacity (row)	61 Kg / 78 L				60 Kg / 75 L					61 Kg / 77 L					58 Kg / 72 L					60 Kg / 75 L				
(Pipoqueira Version) Fertilizer Capacity	750 Kg / 670 L				880 Kg / 785 L					1010 Kg / 900 L					1130 Kg / 1005 L					1585 Kg / 1415 L				
(Pipoqueira Version) Fertilizer Capacity (row)	125 Kg / 111 L				126 Kg / 112 L					126 Kg / 112 L					126 Kg / 112 L					158Kg / 141L				
Approximate Weight (kg)	1.908				2.226					2.544					2.862					3.545				
Tractor Power (hp)	60 a 70 hp				70 a 85 hp					80 a 95 hp					90 a 110 hp					110 a 120 hp				
Tires	2-military 6.50/16				2-military 6.50/16					2-military 6.50/16					2-military 6.50/16					2-military 6.50/16				

*In these distances will be required about 2cm displacement of the line with interference in the axle to the left or right.

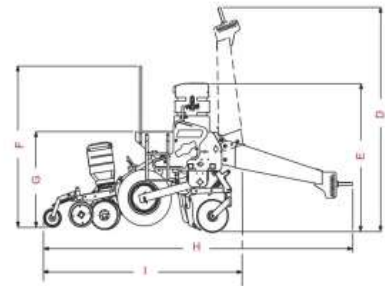
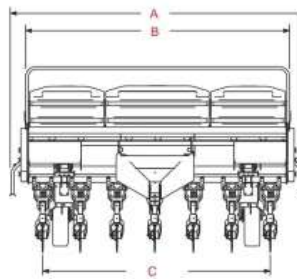
The information in this brochure is subject to variations. Weights, dimensions and specifications are approximated only and the pictures do not reflect their standard condition. To obtain accurate information about any particular model, please consult.

DIMENSIONS (mm)

Panther SM

MODEL	A	B	C	D	E	F	G	H	I
11000	5405	4700	4550 4000	2910	SELF-CLEANING (US) FERTILIZER SYSTEM 2028	2180	1322	4300	2550
12000	5905	5100	5000 4250	2910		2180	1322	4300	2550
13000	6405	5700	5500 4900	2910		2180	1322	4300	2550
14000	6905	6130	6000 5400	2910		2180	1322	4300	2550
15000	7405	6670	6500 5500	2910		2180	1322	4300	2550
16000	7905	7170	7000 6400	2910		2180	1322	4300	2550

NOTE: Minimum distance between lines on wheels is 45cm.



Technical Specifications

Characteristics	11.000						12.000						13.000						14.000						15.000						16.000																	
Number of Rows	11	10	9	8	7	6	12	11	10	9	8	7	6	13	12	10	9	8	7	14	13	12	10	9	8	7	6	15	13	12	11	10	9	8	7	16	15	14	13	12	11	10	9	8				
Spacing (cm)	45	50	55	60	70	80	85	90	45	50	55	60	65	70	75	80	85	90	45	50	55	60	65	70	75	80	85	90	45	50	55	60	65	70	75	80	85	90	45	50	55	60	65	70	75	80	85	90
Fertilizer Capacity (l)	1560						1700						1850						1980						2135						2285																	
Fertilizer Capacity (kg)	1750						1900						2070						2220						2400						2535																	
Weight (kg)	3900						4200						4600						4900						5300						5600																	
Tractor Power (hp)	110 a 130 hp						120 a 140 hp						130 a 160 hp						140 a 170 hp						150 a 180 hp						160 a 190 hp																	
Tire	4/military 6.50-16"						4/military 6.50-16"						4/military 6.50-16"						6/military 6.50-16"						6/military 6.50-16"						6/military 6.50-16"																	
(Pipoqueira Version) Seed (l)	835						930						955						1085						1075						1240																	
(Pipoqueira Version) Seed (kg)	670						745						765						870						860						980																	
(Pipoqueira Version) Fertilizer (l)	1560						1700						1850						1980						2135						2285																	
(Pipoqueira Version) Fertilizer (kg)	1750						1900						2070						2220						2400						2535																	

*In these distances will be required about 2cm displacement of the line with interference in the axle to the left or right.

The information in this brochure is subject to variations. Weights, dimensions and specifications are approximated only and the pictures do not reflect their standard condition. To obtain accurate information about any particular model, please consult.

INDÚSTRIA DE IMPLEMENTOS AGRÍCOLAS VENCE TUDO IMPORTAÇÃO E EXPORTAÇÃO LTDA.

Rod. RS 223 - Km 53 - Área Industrial - Ibirubá - RS - Brasil Phone: + 55 54 3324-8000 - Fax: + 55 54 3324-8010
e-mail: comex@vencetudo.ind.br

www.vencetudo.ind.br